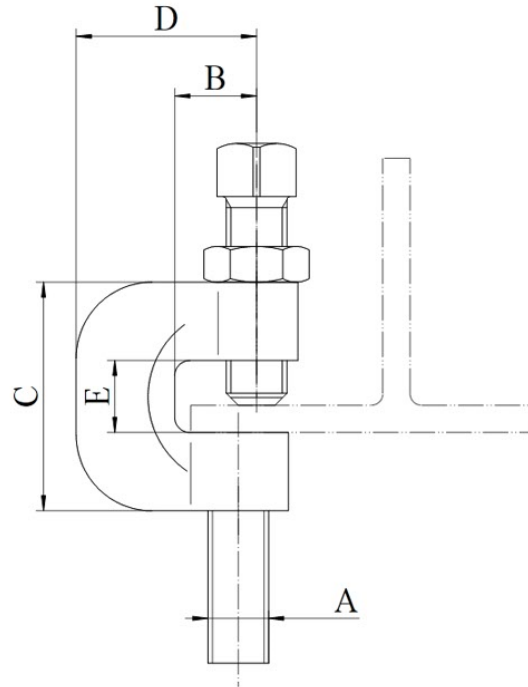


## MALLEABLE C-CLAMP



A-FIG 301	Plain
A-FIG 301Z	Zinc

**FUNCTION:** Designed for attaching hanger rod to the bottom flange of a beam. The hanger rod should make contact with the beam flange to ensure full engagement.

**APPROVALS:** Complies with Manufactures' Standardization Society (MSS) SP-58 & SP-69 (Type 23). Complies with Federal Specifications A-A-1192A (Type 23).

**MATERIAL:** Malleable Iron, with hardened steel cup set screw

**FINISH:** Available in Plain and Zinc Electro-Galvanized

Rod Size A	Specification Data				Pipe Size	Rec. Max. Load (lbs.)	Approx. Wt. Per 100 (lbs.)
	B	C	D	E			
3/8	5/8	1 3/4	1 7/16	3/4	1/2 to 2	350	31
1/2	5/8	1 3/4	1 7/16	3/4	2 1/2 to 3 1/2	500	32
5/8	5/8	1 29/32	1 13/32	3/4	4 to 5	550	42
3/4	5/8	2 1/16	1 1/2	3/4	6	630	51

This specification sheet is for reference only. Aimco International Group Corp. reserves the right to make changes to the design without prior notice.