

WELDLESS EYE NUT

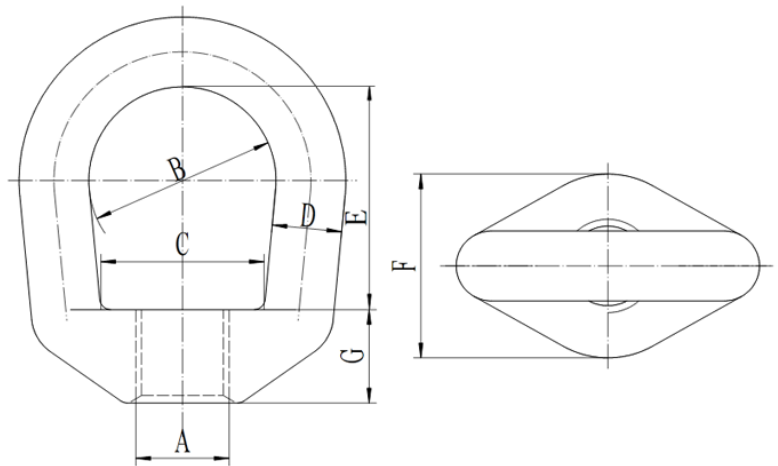
A-FIG 64	Plain
A-FIG 64Z	Zinc
A-FIG 64H	HDG

FUNCTION: Designed for use in high strength and high temperature piping applications.

APPROVALS: Complies with Manufactures' Standardization Society (MSS) SP-58 & SP-69 (Type 17). Complies with Federal Specifications A-A-1192A (Type 17).

MATERIAL: Forged Steel

FINISH: Available in Plain, Zinc Electro-Galvanized, Hot-Dip Galvanized



Rod Size A	Specification Data						Rec. Max. Load 343°C (lbs.)	Rec. Max. Load 399°C (lbs.)	Approx. Wt. Per 100 (lbs.)
	B	C	D	E	F	G			
3/8	1 1/2	1 3/16	1/2	2	1 3/8	11/16	630	570	66
1/2	1 1/2	1 3/16	1/2	2	1 3/8	11/16	1350	1050	66
5/8	1 1/2	1 3/16	1/2	2	1 3/8	11/16	2160	1692	65
3/4	1 1/2	1 3/16	1/2	2	1 3/8	11/16	3230	2530	58
7/8	2	1 13/16	3/4	2 3/8	1 15/16	1	4480	3508	162
1	2	1 13/16	3/4	2 3/8	1 15/16	1	5900	4620	159
1 1/4	2 1/2	1 13/16	1	3 3/8	2 3/8	1 1/4	9500	7740	350
1 1/2	2 1/2	1 13/16	1	3 3/8	2 3/8	1 1/4	13800	10800	350
1 3/4	4	4	1 1/2	6 1/4	4	2 1/4	18600	14566	1640
2	4	4	1 1/2	6 1/4	4	2 1/4	24600	19265	1675
2 1/4	4	4	1 1/2	6 1/4	4	2 1/4	32300	25295	1675
2 1/2	4	4	1 1/2	6 1/4	4	2 1/4	39800	31169	1675

This specification sheet is for reference only. Aimco International Group Corp. reserves the right to make changes to the design without prior notice.